

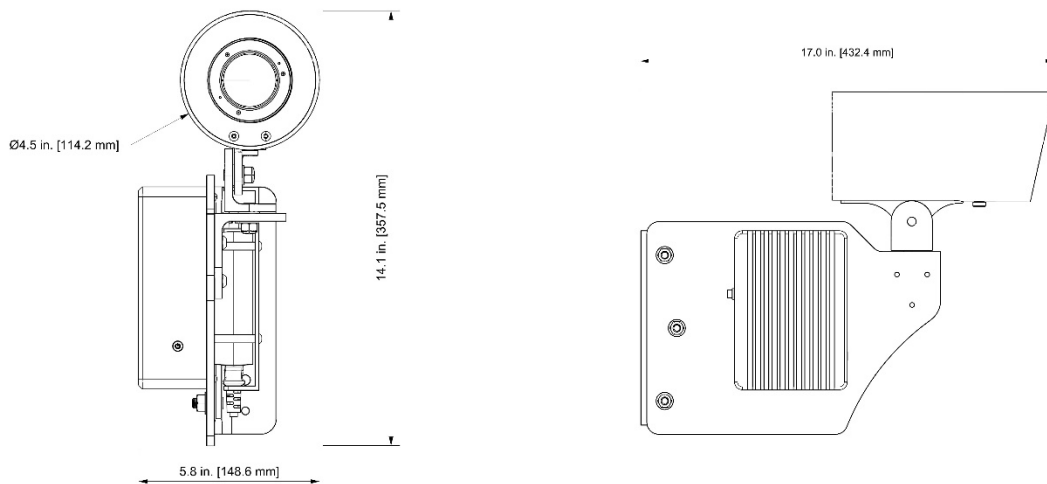
## POST-PURCHASE Checklist and Considerations

***To get the most out of your RaPTr system, we recommend that you take the following preparations and evaluation steps:***

### CHECKLIST:

#### Prior to unit receipt:

- Review the following materials and clarify any questions with Artemis Vision:
  - Scanner Installation Guide (hard copy will also be included with unit shipment)
  - Scanner User Guide
  - Server Installation Guide
  - Server User Guide
- Determine where unit will be mounted. See Example Set-Up Layouts and other physical location recommendations in the Scanner User Guide. Account for a monitor (customer-supplied unless purchased) above unit.



- Schedule IT personnel or relevant parties for any database integration required, or set up assistance with Artemis Vision.

**Upon unit receipt:**

- Assemble hardware and connect cables according to instructions in Scanner Installation Guide. Set up cameras and configure software according to Scanner User Guide.
- Confirm system is successfully decoding barcodes with green box highlighting the barcode image on the Artemis Vision RaPTr Scanner software.
- Run a full simulation of pallets to scan in their current or intended real-world configurations (height, label placement, etc), and then compare the scanned list against the actual quantities that passed the unit.
- Retrieve and interrogate scanned lists via included RaPTr Web Reporting Server (<http://localhost>).
- Retrieve and interrogate scanned images via included RaPTr Web Reporting Server.
- Run a simulation which includes your actual forklift drivers and ensure the system display is clear to them.
  - Do they clearly see a wrong scan alert? Is an additional audible alarm needed (configurable)?  
Do they have a procedure after a wrong scan alert?
  - Do they clearly see the ok'd scans?
  - Do you need to test out different messages and colors?
- Contact Artemis Vision with other questions or concerns that arise.